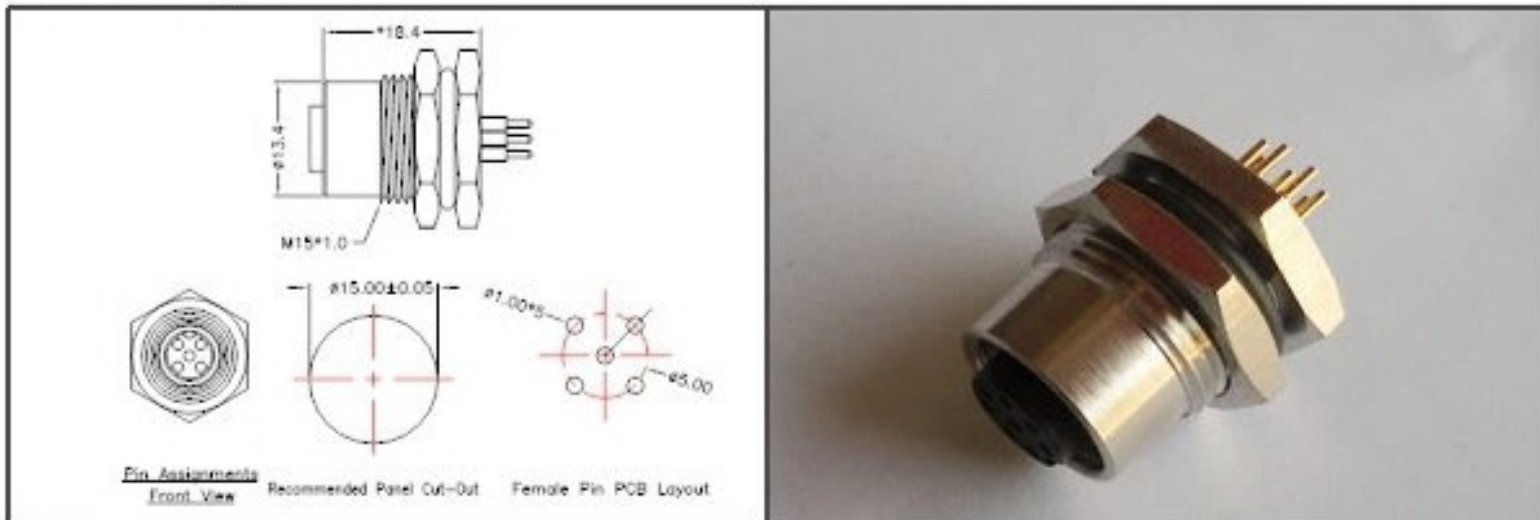

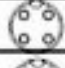



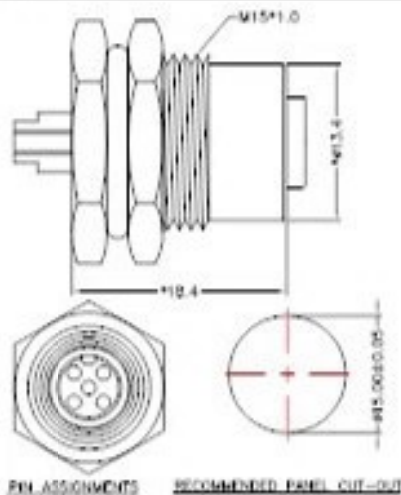
## M12 Female Panel PCB Type Front Mounting Drawing&Icon:








Item Number	Current Rating	Dimensions
M12-03FP-XXSF	5A	
M12-04FP-XXSF	5A	
M12-05FP-XXSF	5A	
M12-07FP-XXSF	2A	
M12-08FP-XXSF	2A	

Product Specification	Description
Temperature Range	-40° C ~105° C
Connector Body	Nylon+GF or PBT
Contact Resistance	≤ 10mΩ
Insulation Resistance	≧ 100mΩ at DC500V
Breakdown Voltage	≧ 500V/1Minute (≤ 5A)
Contact	Brass with Gold Plated
Screw Nut	Brass with Nickel Plated
Standard IP	IEC 60529
Waterproof Rate	IP66,IP67,IP68

## M12 Female Panel Solder Type Front Mounting Drawing&Icon:

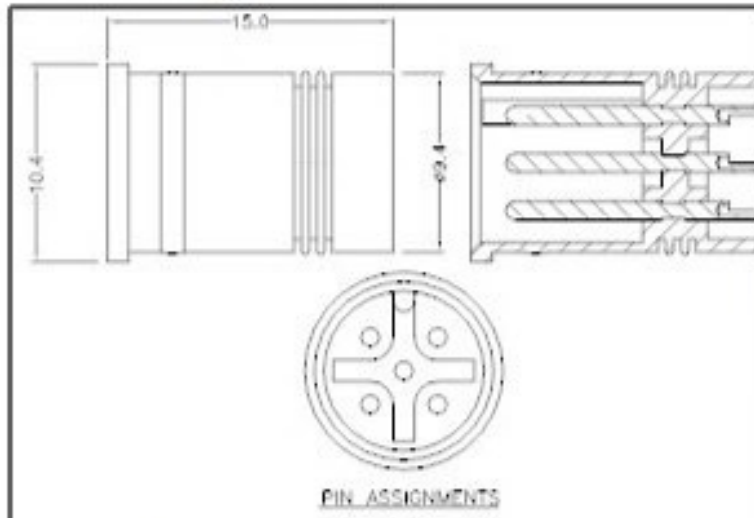



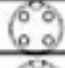


Item Number	Current Rating	Dimensions
M12-03FS-XXSF	5A	
M12-04FS-XXSF	5A	
M12-05FS-XXSF	5A	
M12-07FS-XXSF	2A	
M12-08FS-XXSF	2A	

Product Specification	Description
Temperature Range	-40° C ~105° C
Connector Body	Nylon+GF or PBT
Contact Resistance	≤ 10mΩ
Insulation Resistance	≥ 100mΩ at DC500V
Breakdown Voltage	≥ 500V/1Minute (≤ 5A)
Contact	Brass with Gold Plated
Screw Nut	Brass with Nickel Plated
Standard IP	IEC 60529
Waterproof Rate	IP66,IP67,IP68



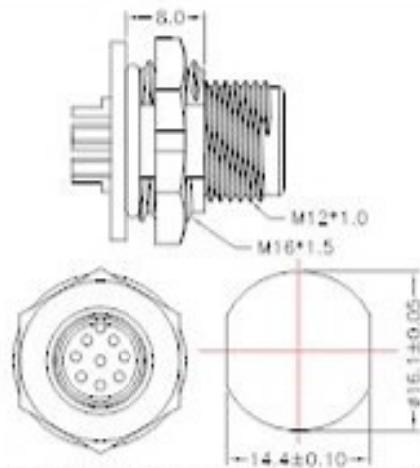
## M12 Plastic Male Solder Type Panel Mounting Drawing&Icon:



Item Number	Current Rating	Dimensions
M12P-03MSP	5A	
M12P-04MSP	5A	
M12P-05MSP	5A	
M12P-07MSP	2A	
M12P-08MSP	2A	






Product Specification	Description
Temperature Range	-40° C ~105° C
Connector Body	Nylon+GF or PBT
Contact Resistance	≤ 10mΩ
Insulation Resistance	≧ 100mΩ at DC500V
Breakdown Voltage	≧ 500V/1Minute (≤5A)
Contact	Brass with Gold Plated
Screw Nut	Brass with Nickel Plated
Standard IP	IEC 60529
Waterproof Rate	IP66,IP67,IP68

## M12 Plastic Male Solder Type Front Mounting Drawing&Icon:



PIN ASSIGNMENTS RECOMMENDED PANEL CUT-OUT

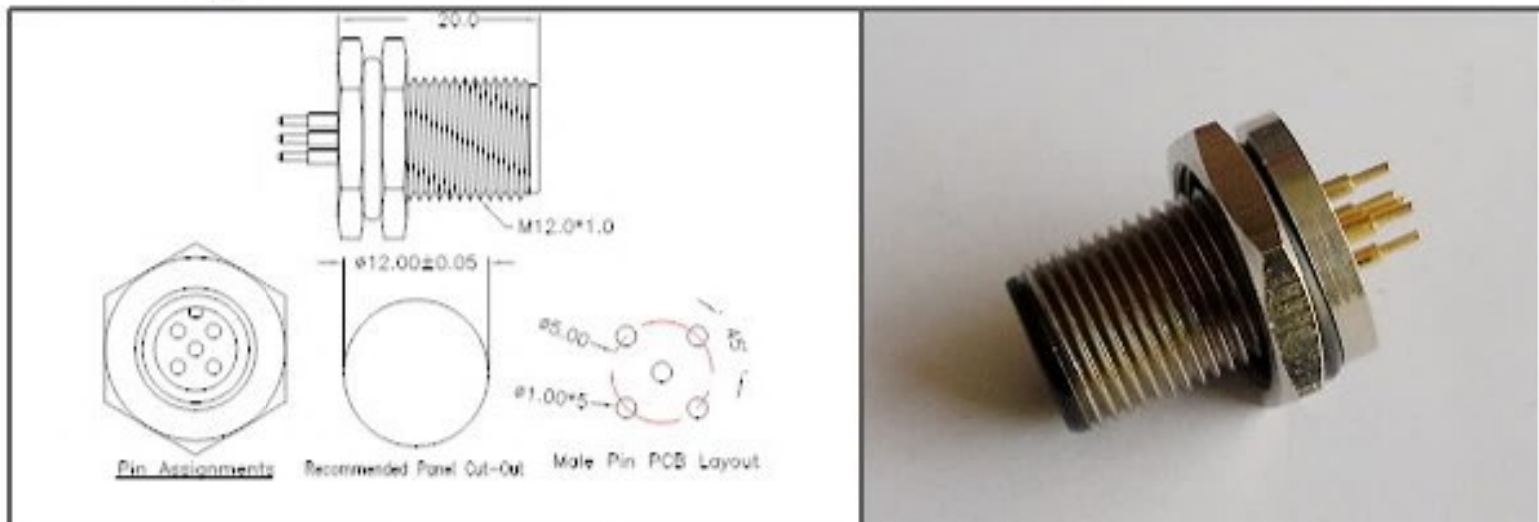



Item Number	Current Rating	Dimensions
M12P-03MS-XXSF	5A	
M12P-04MS-XXSF	5A	
M12P-05MS-XXSF	5A	
M12P-07MS-XXSF	2A	
M12P-08MS-XXSF	2A	

Product Specification	Description
Temperature Range	-40° C ~105° C
Connector Body	Nylon+GF or PBT
Contact Resistance	≤ 10mΩ
Insulation Resistance	≧ 100mΩ at DC500V
Breakdown Voltage	≧ 500V/1Minute (≤ 5A)
Contact	Brass with Gold Plated
Screw Nut	Brass with Nickel Plated
Standard IP	IEC 60529
Waterproof Rate	IP66,IP67,IP68



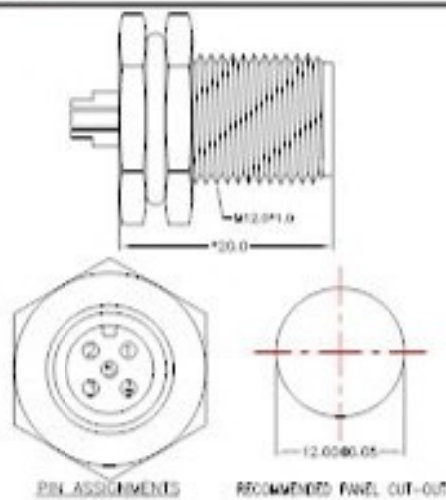
## M12 Male Panel PCB Type Front Mounting Drawing&Icon:








Item Number	Current Rating	Dimensions
M12-03MP-XXSF	5A	
M12-04MP-XXSF	5A	
M12-05MP-XXSF	5A	
M12-07MP-XXSF	2A	
M12-08MP-XXSF	2A	

Product Specification	Description
Temperature Range	-40° C ~105° C
Connector Body	Nylon+GF or PBT
Contact Resistance	$\leq 10\text{m}\Omega$
Insulation Resistance	$\geq 100\text{m}\Omega$ at DC500V
Breakdown Voltage	$\geq 500\text{V}/1\text{Minute}$ ( $\leq 5\text{A}$ )
Contact	Brass with Gold Plated
Screw Nut	Brass with Nickel Plated
Standard IP	IEC 60529
Waterproof Rate	IP66,IP67,IP68

## M12 Male Panel Solder Type Front Mounting Drawing&Icon:

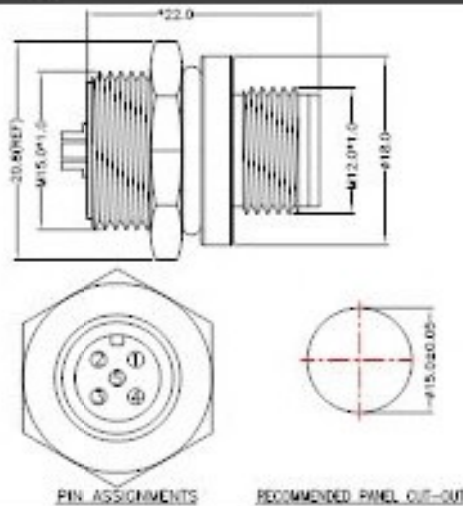



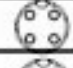


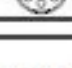
Item Number	Current Rating	Dimensions
M12-03MS-XXSF	5A	
M12-04MS-XXSF	5A	
M12-05MS-XXSF	5A	
M12-07MS-XXSF	2A	
M12-08MS-XXSF	2A	

Product Specification	Description
Temperature Range	-40° C ~105° C
Connector Body	Nylon+GF or PBT
Contact Resistance	≤ 10mΩ
Insulation Resistance	≧ 100mΩ at DC500V
Breakdown Voltage	≧ 500V/1Minute (≤ 5A)
Contact	Brass with Gold Plated
Screw Nut	Brass with Nickel Plated
Standard IP	IEC 60529
Waterproof Rate	IP66,IP67,IP68



## M12 Male Panel Solder Type Rear Mounting Drawing&Icon:








Item Number	Current Rating	Dimensions
M12-03MS-XXSR	5A	
M12-04MS-XXSR	5A	
M12-05MS-XXSR	5A	
M12-07MS-XXSR	2A	
M12-08MS-XXSR	2A	

Product Specification	Description
Temperature Range	-40° C ~105° C
Connector Body	Nylon+GF or PBT
Contact Resistance	≤ 10mΩ
Insulation Resistance	≧ 100mΩ at DC500V
Breakdown Voltage	≧ 500V/1Minute (≤ 5A)
Contact	Brass with Gold Plated
Screw Nut	Brass with Nickel Plated
Standard IP	IEC 60529
Waterproof Rate	IP66,IP67,IP68

## M12 Female Molding Type Plastic Nut

Drawing&Icon:



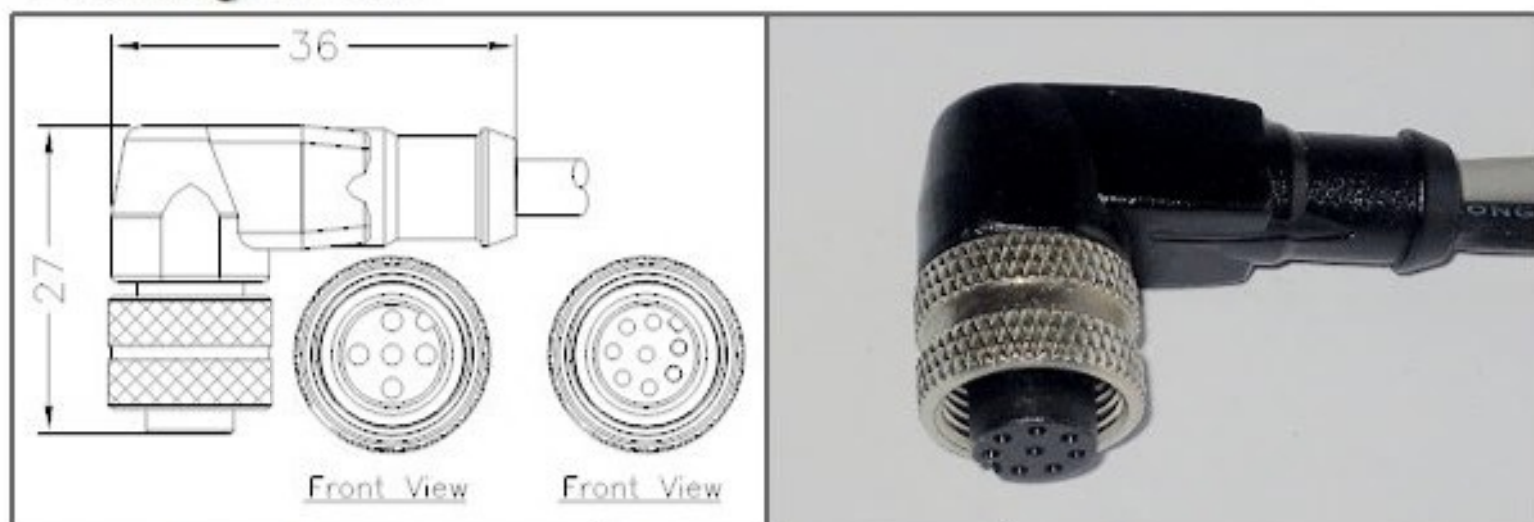
Item Number	Current Rating	Dimensions
M12P-03F/M-MXXS180/90	5A	
M12P-04F/M-MXXS180/90	5A	
M12P-05F/M-MXXS180/90	5A	
M12P-07F/M-MXXS180/90	2A	
M12P-08F/M-MXXS180/90	2A	






Product Specification	Description
Temperature Range	-20° C ~85 ° C
Connector Body	Nylon+GF or TPU
Contact Resistance	≤ 10mΩ
Insulation Resistance	≧ 100mΩ at DC500V
Breakdown Voltage	≧ 500V/1Minute (≤ 5A)
Contact	Brass with Gold Plated
Screw Nut	Plastic Nylon+GF
Standard IP	IEC 60529
Waterproof Rate	IP66,IP67,IP68



## M12 Female Molding Type Right Angle

Drawing&Icon:



Item Number	Current Rating	Dimensions
M12-03F-MXXS90	5A	
M12-04F-MXXS90	5A	
M12-05F-MXXS90	5A	
M12-07F-MXXS90	2A	
M12-08F-MXXS90	2A	

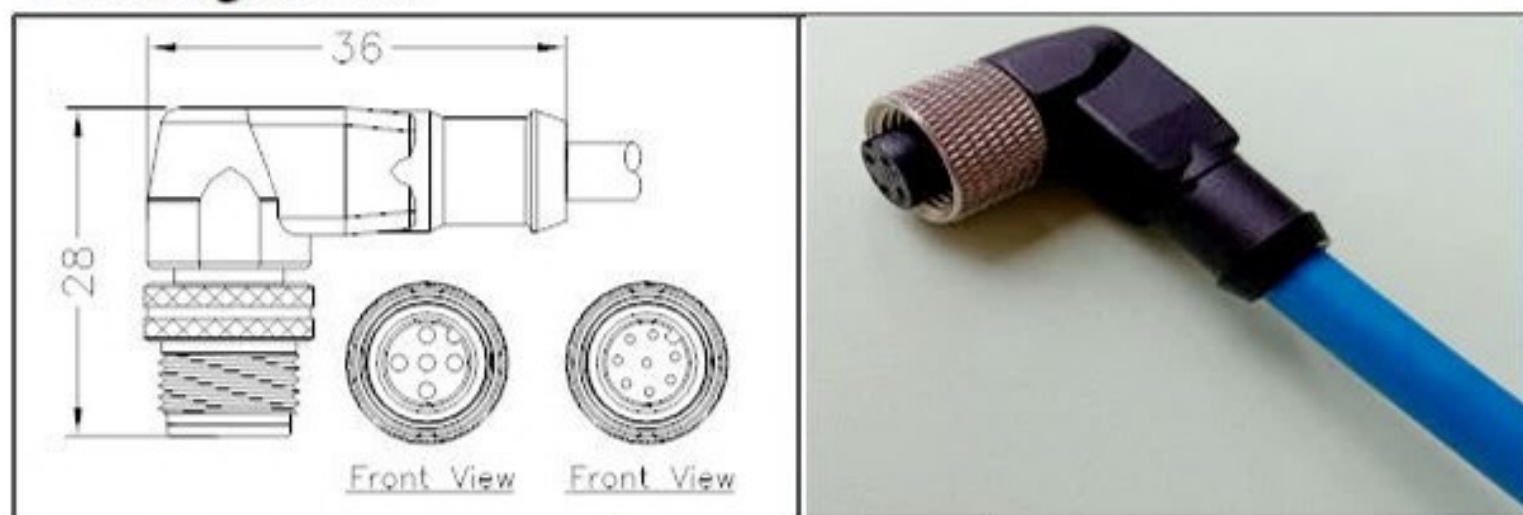
Product Specification	Description
Temperature Range	-20° C ~85° C
Connector Body	Nylon+GF or TPU
Contact Resistance	≤ 10mΩ
Insulation Resistance	≧ 100mΩ at DC500V
Breakdown Voltage	≧ 500V/1Minute (≤ 5A)
Contact	Brass with Gold Plated
Screw Nut	Brass with Nickel Plated
Standard IP	IEC 60529
Waterproof Rate	IP66,IP67,IP68



## Kable-X Company Waterproof Connector

### M12 Male Molding Type Right Angle

Drawing&Icon:

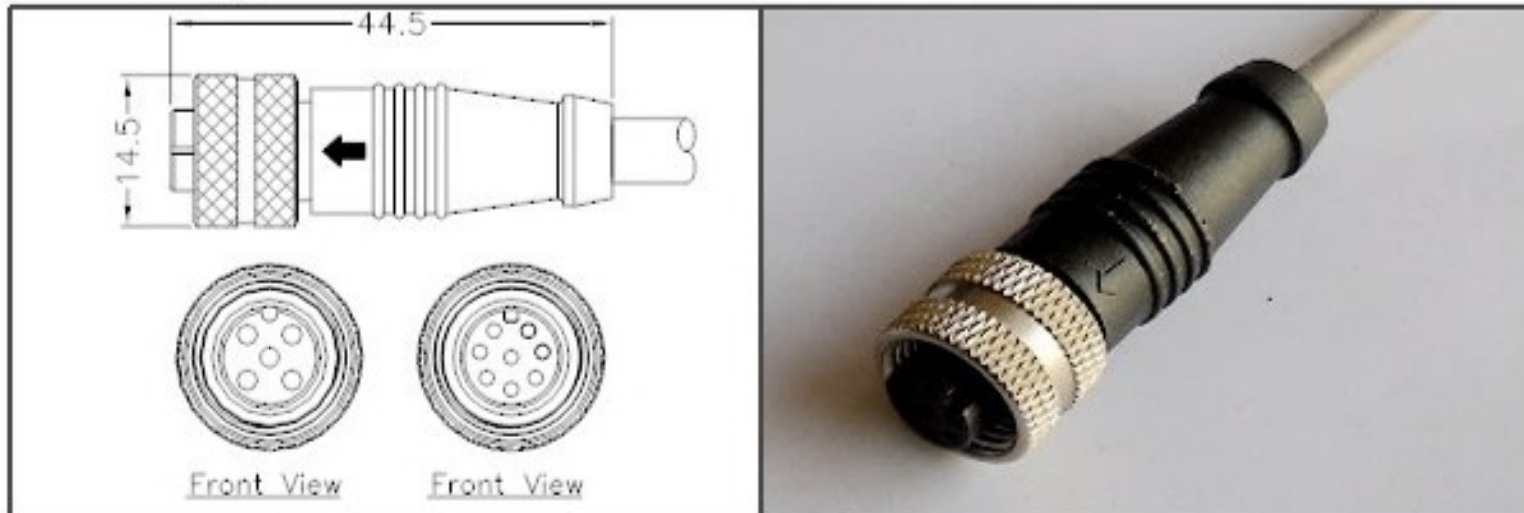







Item Number	Current Rating	Dimensions
M12-03M-MXXS90	5A	
M12-04M-MXXS90	5A	
M12-05M-MXXS90	5A	
M12-07M-MXXS90	2A	
M12-08M-MXXS90	2A	

Product Specification	Description
Temperature Range	-20° C ~85° C
Connector Body	Nylon+GF or TPU
Contact Resistance	≤ 10mΩ
Insulation Resistance	≥ 100mΩ at DC500V
Breakdown Voltage	≥ 500V/1Minute (≤ 5A)
Contact	Brass with Gold Plated
Screw Nut	Brass with Nickel Plated
Standard IP	IEC 60529
Waterproof Rate	IP66,IP67,IP68



## M12 Female Molding Type Straight Drawing&Icon:



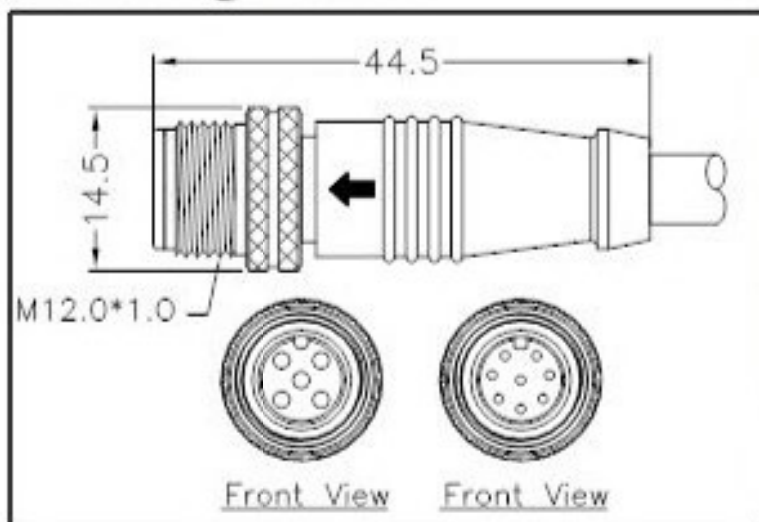
Item Number	Current Rating	Dimensions
M12-03F-MXXS180	5A	
M12-04F-MXXS180	5A	
M12-05F-MXXS180	5A	
M12-07F-MXXS180	2A	
M12-08F-MXXS180	2A	

Product Specification	Description
Temperature Range	-20° C ~85 ° C
Connector Body	Nylon+GF or TPU
Contact Resistance	≤ 10mΩ
Insulation Resistance	≧ 100mΩ at DC500V
Breakdown Voltage	≧ 500V/1Minute (≤ 5A)
Contact	Brass with Gold Plated
Screw Nut	Brass with Nickel Plated
Standard IP	IEC 60529
Waterproof Rate	IP66,IP67,IP68



## M12 Male Molding Type Straight

Drawing&Icon:

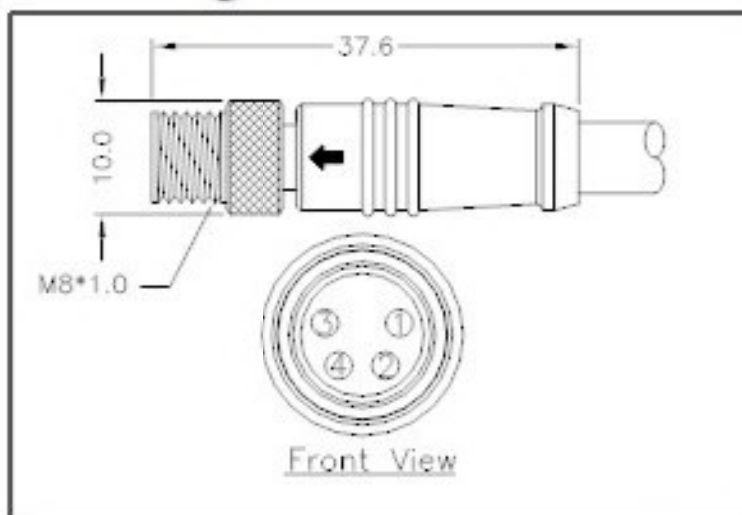



Item Number	Current Rating	Dimensions
M12-03M-MXXS180	5A	
M12-04M-MXXS180	5A	
M12-05M-MXXS180	5A	
M12-07M-MXXS180	2A	
M12-08M-MXXS180	2A	

Product Specification	Description
Temperature Range	-20° C ~85° C
Connector Body	Nylon+GF or TPU
Contact Resistance	≤ 10mΩ
Insulation Resistance	≧ 100mΩ at DC500V
Breakdown Voltage	≧ 500V/1Minute (≤ 5A)
Contact	Brass with Gold Plated
Screw Nut	Brass with Nickel Plated
Standard IP	IEC 60529
Waterproof Rate	IP66,IP67,IP68



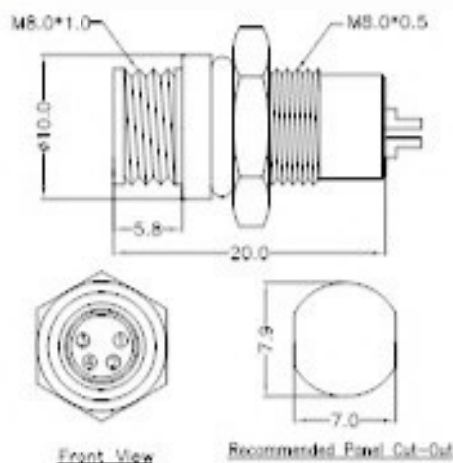
## M8 Male Molding Type Straight Drawing&Icon:





Item Number	Current Rating	Dimensions
M8-03M-MXXS180	5A	
M8-04M-MXXS180	5A	

Product Specification	Description
Temperature Range	-20° C ~85 ° C
Connector Body	Nylon+GF or TPU
Contact Resistance	≤ 10mΩ
Insulation Resistance	≧ 100mΩ at DC500V
Breakdown Voltage	≧ 500V/1Minute (≤ 5A)
Contact	Brass with Gold Plated
Screw Nut	Brass with Nickel Plated
Standard IP	IEC 60529
Waterproof Rate	IP66,IP67,IP68

## M8 Male Panel Solder Type Rear Mounting Drawing&Icon:



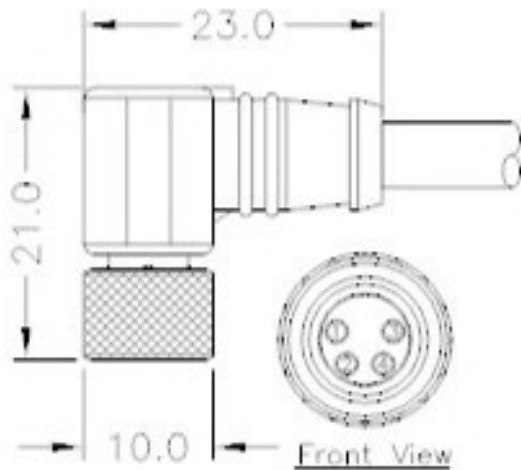
Item Number	Current Rating	Dimensions
M8-03MS-XXSR	5A	
M8-04MS-XXSR	5A	

Product Specification	Description
Temperature Range	-40° C ~85° C
Connector Body	Nylon+GF or PBT(-40° C ~105
Contact Resistance	≦16mΩ
Insulation Resistance	≧100mΩ at DC500V
Breakdown Voltage	≧500V/1Minute (≦5A)
Contact	Brass with Gold Plated
Shield	Brass with Nickel Plated
Standard IP	IEC 60529
Waterproof Rate	IP67,IP68



## M8 Female Molding Type Right Angle

Drawing&Icon:

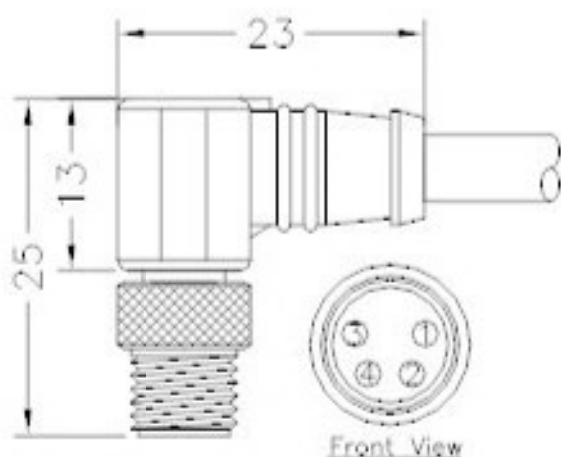




Item Number	Current Rating	Dimensions
M8-03F-MXXS180	5A	
M8-04F-MXXS180	5A	

Product Specification	Description
Temperature Range	-20° C ~85° C
Connector Body	Nylon+GF or TPU
Contact Resistance	≤ 10mΩ
Insulation Resistance	≧ 100mΩ at DC500V
Breakdown Voltage	≧ 500V/1Minute (≤ 5A)
Contact	Brass with Gold Plated
Screw Nut	Brass with Nickel Plated
Standard IP	IEC 60529
Waterproof Rate	IP66,IP67,IP68

## M8 Male Molding Type Right Angle

Drawing&Icon:

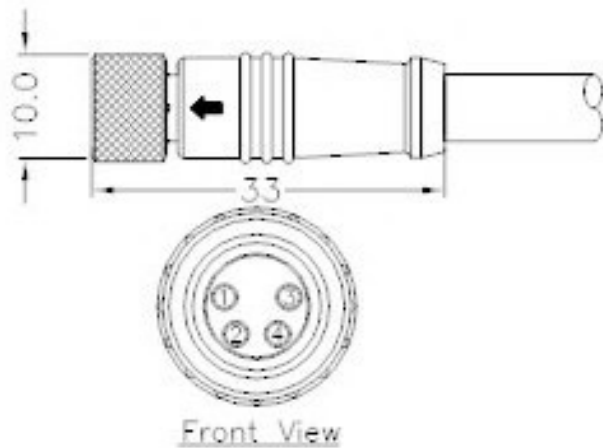




Item Number	Current Rating	Dimensions
M8-03M-MXXS90	5A	
M8-04M-MXXS90	5A	

Product Specification	Description
Temperature Range	-20° C ~85° C
Connector Body	Nylon+GF or TPU
Contact Resistance	≤ 10mΩ
Insulation Resistance	≧ 100mΩ at DC500V
Breakdown Voltage	≧ 500V/1Minute (≤ 5A)
Contact	Brass with Gold Plated
Screw Nut	Brass with Nickel Plated
Standard IP	IEC 60529
Waterproof Rate	IP66,IP67,IP68



## M8 Female Molding Type Straight Drawing&Icon:



Item Number	Current Rating	Dimensions
M8-03F-MXXS180	5A	
M8-04F-MXXS180	5A	

Product Specification	Description
Temperature Range	-20° C ~85 ° C
Connector Body	Nylon+GF or TPU
Contact Resistance	≤ 10mΩ
Insulation Resistance	≧ 100mΩ at DC500V
Breakdown Voltage	≧ 500V/1Minute (≤ 5A)
Contact	Brass with Gold Plated
Screw Nut	Brass with Nickel Plated
Standard IP	IEC 60529
Waterproof Rate	IP66,IP67,IP68